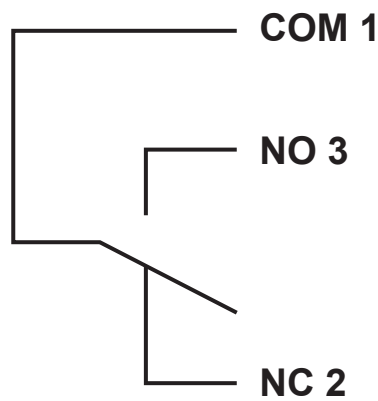
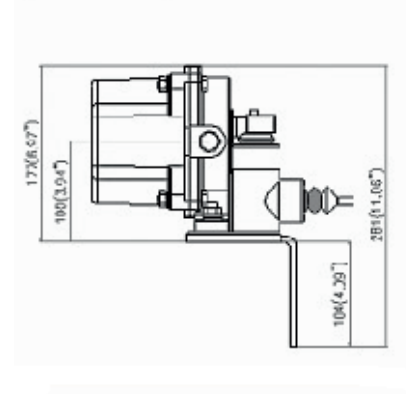
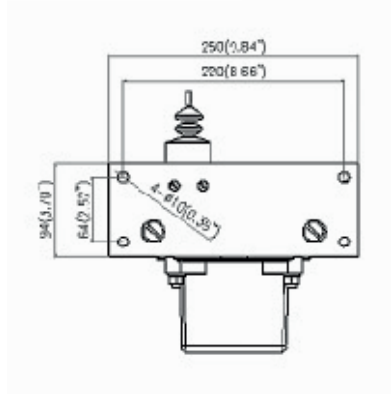
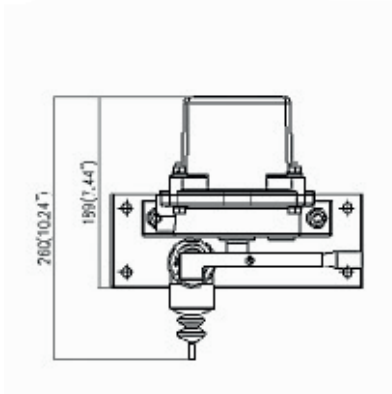


Model NSR66-BD3 Technical Data



Technical Specifications

Aluminum Casting NEMA-4	Temperature Rating : -42° - 80° C
Micro Switch Values : 15A @ 115-230 VAC, 30 VDC ↻	Protection Class : IP67
Output Signal : (2) SPDT shutdown (Alarm,Closure)	
Cable Entry : 2xM25	
Movement Angle : 15° - 25°	