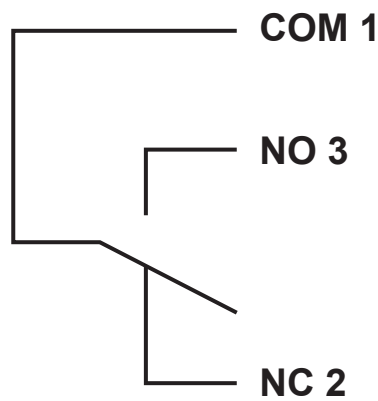
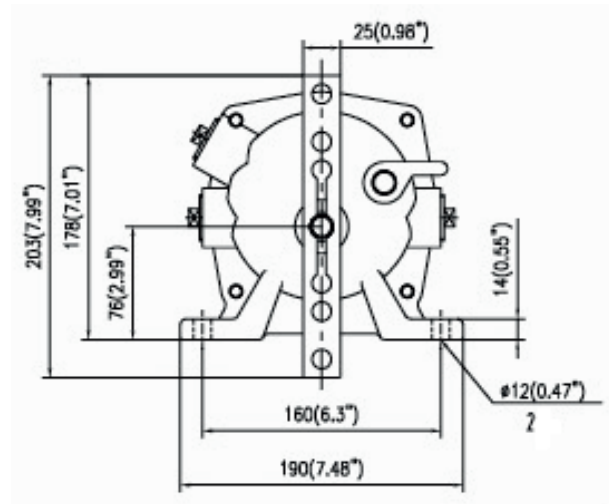
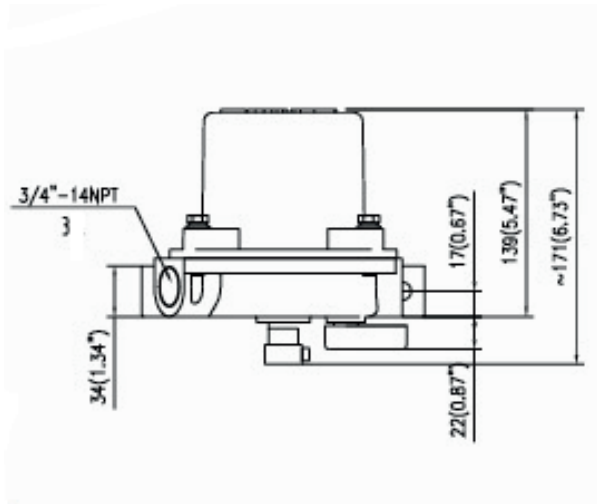


Model NSR66-PR3 Technical Data



Technical Specifications

Aluminum Casting NEMA-4
 Micro Switch Values : 15A @ 115-230 VAC, 30 VDC (↻)
 Output Signal : (2) SPDT shutdown (Alarm,Closure)
 Cable Entry : 2xM25
 Movement Angle : 25°

Temperature Rating : -42° - 80° C
 Mounting Structure : It is suitable for double-sided use.
 Protection Class : IP67