

Rope System Connection Equipment

Description

Steel ropes are mounted in parallel to conveyor systems and are used for emergency stop operation. Connection equipment has been produced in accordance with the standards, suitable for the use of KBT emergency stop switches. Within the European Union, these terms are mainly produced. It has been adhered to EN 60947-5-1 and DIN EN 418 standards.

General Installation Guide

Installation of all KBT Safety Pull Cord Emergency Stop switch systems must comply with the safety risk assessment. Installation should only be carried out by authorized personnel and in accordance with these instructions. Please review the Pull Cord Emergency Stop switch installation guide and accessory installation guide.

Detailed Information

Application	Conveyor Belt System Emergency Stop Switch Connection
Working System	It works with manual control.
Standards	EN 60947-5-1 and DIN EN 418
Suitable Models	NSR22-PR(XX) - TPR22-PR(XX) - NSR66-PR - NSR75-PR(XX)

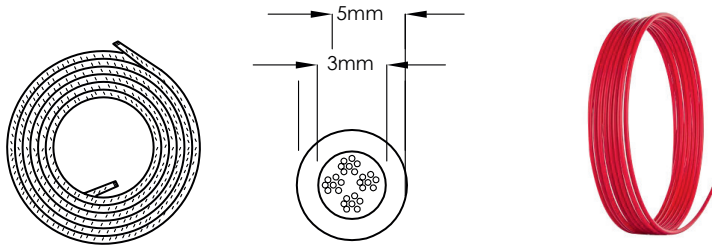
Insulated Steel Pull Rope

Description

The product is colored red to suit the required security practices. The soft outer part makes it easy to use and durable by the user. It is made of PVC which is resistant to ambient conditions.

Product Name	Product Code	Description
Steel Rope 3/5 %50UV + %50PVC coating	SR-050-03	5mm Insulated Steel Wire Rope. 3mm Steel Part 2mm Pvc Protective Part. Red color
Steel Rope 5/7 %50UV + %50PVC coating	SR-070-05	7mm Insulated Steel Wire Rope. 5mm Steel Part 2mm Pvc Protective Part. Red color
Steel Rope 3/5 %100UV covering	SR-050-03UV5	5mm Insulated Steel Wire Rope. 3mm Steel Part 2mm Pvc Protective Part. Red color
Steel Rope 5/7 %100PVC coating	SR-070-05UV5	7mm Insulated Steel Wire Rope. 5mm Steel Part 2mm Pvc Protective Part. Red color

Min. order quantity 25 meters.

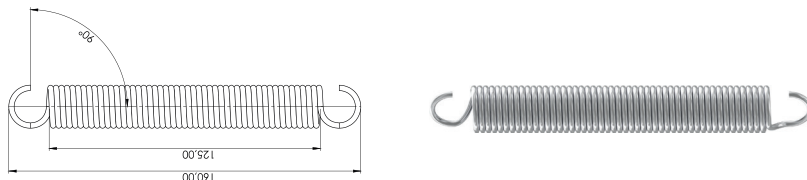


Rope Tension Spring

Description

It is mounted on the rope of the emergency stop switch on the right and left side of the conveyor belts. The tension of each spring should be high during assembly. With the rope movement, it must move the emergency stop switch. Otherwise, if there is no tension, the stop will not be provided at the desired speed. We recommend that you use the rope tensioning apparatus to provide this tension. Springs are made of stainless steel material. A special process has been applied on the springs. The reason for this is to be resistant to external factors and to maintain its hardness strength for many years.

Product Name	Product Code	Description
Rope Tension Spring	NB-055SS	Stainless Steel

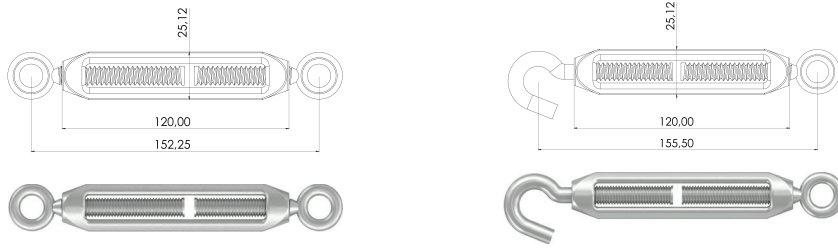


Turnbuckle

Description

This equipment, which is directly mounted to the product, allows the tension adjustment of the entire rope.

Product Name	Product Code	Description
Eye-Hook Turnbuckle	GK-10	Galvanized Material Eye - Hook - 10 mm
Eye-Eye	GG-10	Galvanized Material Eye - Eye - 10 mm
Eye-Hook Turnbuckle	GK-10SS	Stainless Steel Material Eye - Hook - 10 mm
Eye-Eye	GG-08SS	Stainless Steel Material Eye - Eye - 10 mm

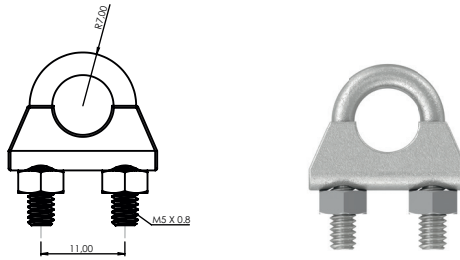


Rope Clamp

Description

While you are using the connectors, it should definitely be used in order to prevent the steel rope from breaking. In order to make an eye out of steel rope, at least 2 terminal blocks must be used. Please review the pull-wire switch installation manual and accessory installation guide. Terminal usage is explained with pictures in the installation manual.

Product Name	Product Code	Description
Steel Wire Rope Terminal	ZB-216	Galvanized body is suitable for 5mm steel rope.
Steel Wire Rope Terminal	ZB-216S	Stainless steel body is suitable for 5mm steel rope.
Steel Wire Rope Terminal	ZB-722	Galvanized body is suitable for 7mm steel rope.
Steel Wire Rope Terminal	ZB-722S	Stainless steel body is suitable for 7mm steel rope.

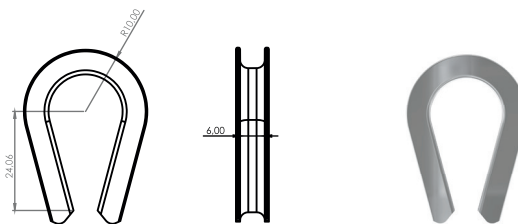


Rope Thimbles

Description

It is used to ensure that the steel rope does not stretch and break during assembly.

Product Name	Product Code	Description
Rope Thimbles	RB-050	Suitable for 5mm Steel rope. Galvanized Body
Rope Thimbles	RB-050SS	Suitable for 5mm Steel rope. Stainless Steel Body
Rope Thimbles	RB-070	Suitable for 7mm Steel rope. Galvanized Body
Rope Thimbles	RB-070SS	Suitable for 7mm Steel rope. Stainless Steel Body

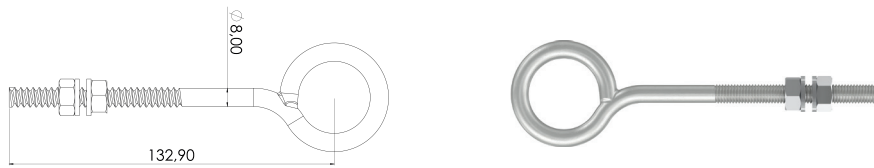


Eyebolts, Rope Loops

Description

It is used to prevent the sag of the steel rope or to fix it at one point. It has two options as open type and closed type.

Product Name	Product Code	Description	Product Code	Description
Eyebolts ,Rope Loops	KN-013	Galvanized Body M8	KN-013SS	Stainless Steel Body M8
Eyebolts ,Rope Loops	KN-023	Galvanized Body M10	KN-023SS	Stainless Steel Body M10

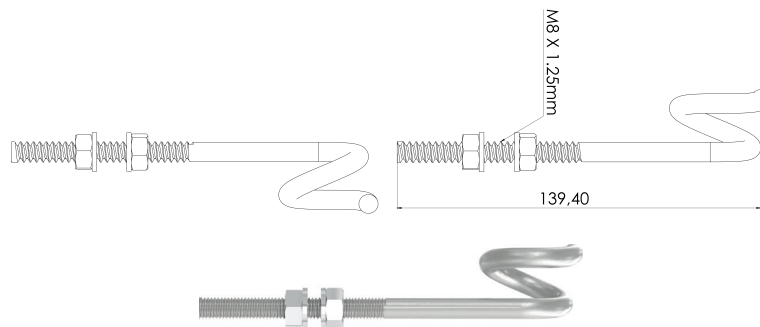


Pigtail Eye Bolt

Description

Pigtail Eye Bolt is used to prevent the sag of the steel rope or to fix it at one point. It has two options as open type and closed type.

Product Name	Product Code	Description	Product Code	Description
Pig Tail Eye Bolt	KN-015	Galvanized Body M8	KN-015SS	Stainless Steel Body M8
Pig Tail Eye Bolt	KN-025	Galvanized Body M10	KN-025SS	Stainless Steel Body M10

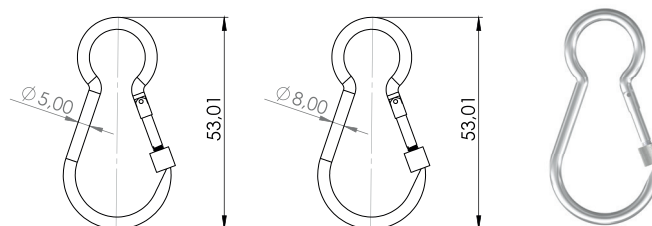


Carabiner

Description

Thanks to its collapsible design, the carabiner is a functional product that can be used both as a ring and as a hook. It enables the connection apparatus to be interlocked with each other during the application.

Product Name	Product Code	Description	Product Code	Description
Carabiner	KK-55	5mm Galvanized	KK-55SS	5mm Stainless Steel
Carabiner	KK-88	8mm Galvanized	KK-88SS	8mm Stainless Steel

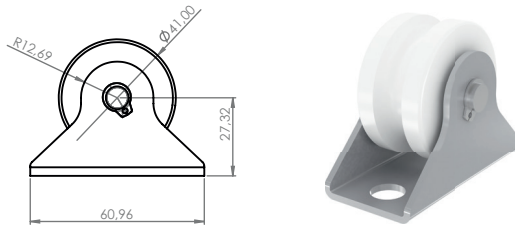


Rope Roller

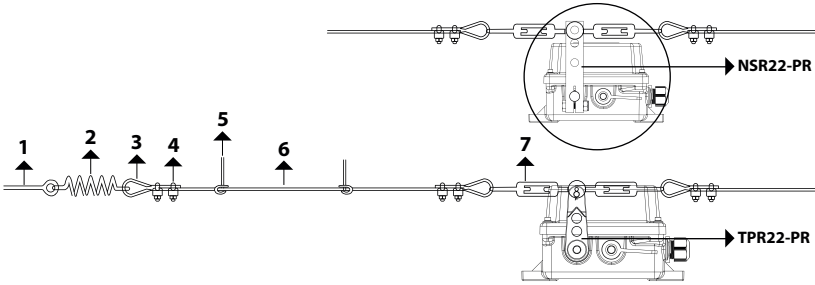
Description

If there is an angular section in the conveyor system, this apparatus is needed to ensure the transfer. It has two different models as variable direction head and fixed head.

Product Name	Product Code	Description
Rope Direction Roller	YM-40-03	40 mm Wheel Suitable for 5-6-7 mm rope.



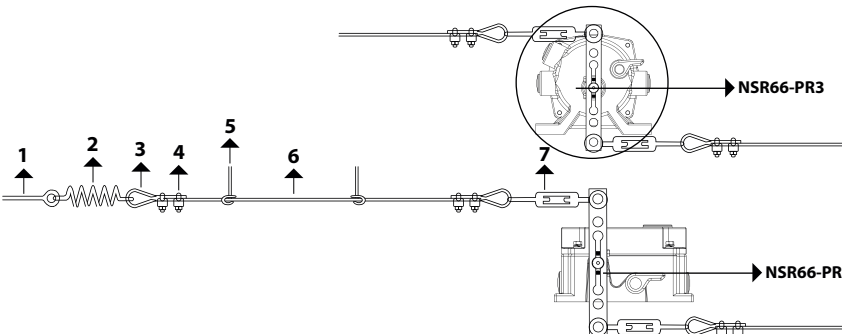
NSR22-PR / TPR22-PR Mechanical Assembly Structure



Mounting Accessories

- 1- Eyebolts ,Rope Loops (M8)
- 2- Spring
- 3- Rope Eye (5mm)
- 4- Rope Clamp (5mm)
- 5- Pig Tail Eye Bolt (M8)
- 6- Pull Rope 3/5 %50UV + %50PVC Coating
- 7- Turnbuckle Eye Hook

NSR66-PR / NSR66-PR3 Mechanical Assembly Structure



Mounting Accessories

- 1- Eyebolts ,Rope Loops (M8)
- 2- Spring
- 3- Rope Eye (5mm)
- 4- Rope Clamp (5mm)
- 5- Pig Tail Eye Bolt (M8)
- 6- Pull Rope 3/5 %50UV + %50PVC Coating
- 7- Turnbuckle Eye Hook